

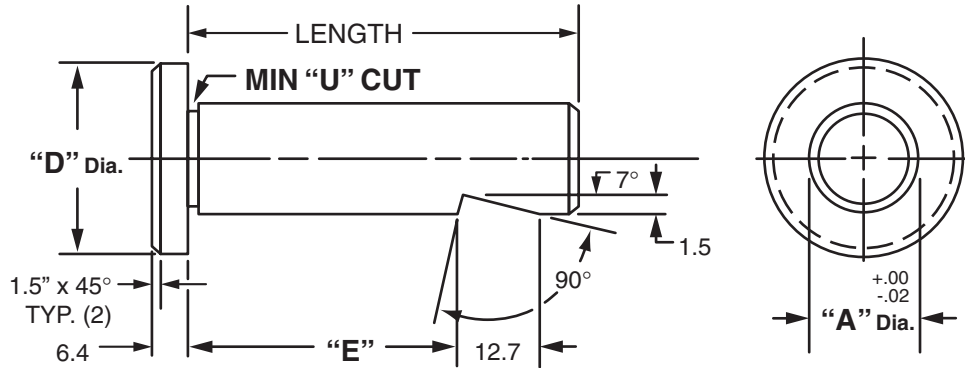


Masterline® Design & Mfg., Inc.

DESIGN SERVICES & PRODUCTS

41580 Production Dr. • Harrison Twp., Michigan 48045 • (586) 463-5888 • Fax (586) 463-8817

MASTERLINE METRIC HEAD TYPE WHISTLENOTCH SHAFT



"A" Dia.	"D" Dia.	Cad File No.
6M	12.7M	WZ6M
8M	15.8M	WZ8M
10M	19.0M	WZ10M
12M	25.4M	WZ12M
14M	25.4M	WZ14M
16M	31.7M	WZ16M

"A" Dia.	"D" Dia.	Cad File No.
18M	31.7M	WZ18M
20M	38.1M	WZ20M
25M	44.4M	WZ25M
30M	50.8M	WZ30M
35M	50.8M	WZ35M
40M	53.8M	WZ40M

Available in four (4) series:

- "WS" – 12L14 CRS
- "WM" – T.G. & P. Alloy, HDN R_c 28-32
- "WH" – 12L14 CRS, CARB., HDN. & GR., R_c 56-60 (.75 min. case)
- "WY" – 304 Stainless Steel

Other diameters are available on request. (see "How To Order")

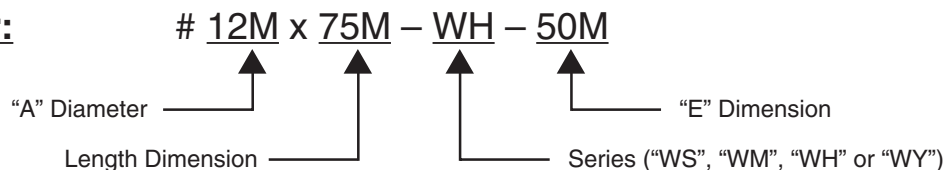
Shafts are available with lube holes, lube grooves and extractor options.

(refer to Sec. III, page 12 and Sec. V, page 1 & 4)

Masterline Metric Head Type Whistlenotch Shaft

To specify metric (millimeters) when ordering, use a capital "M" behind each dimension.

How To Order:



All Parts Available In Inch And Metric.