

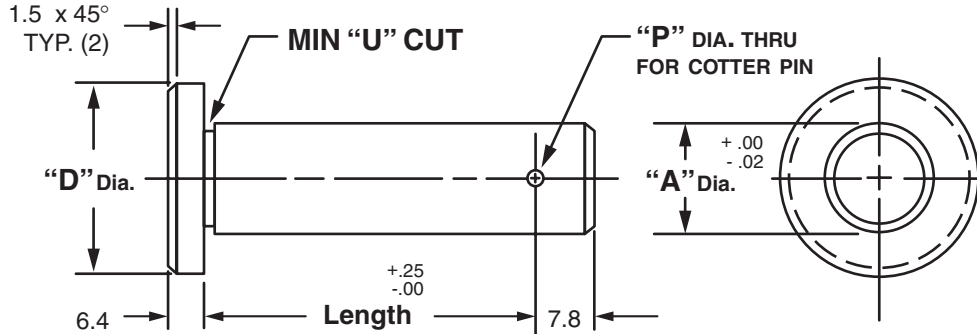


Masterline® Design & Mfg., Inc.

DESIGN SERVICES & PRODUCTS

41580 Production Dr. • Harrison Twp., Michigan 48045 • (586) 463-5888 • Fax (586) 463-8817

MASTERLINE METRIC HEAD TYPE COTTER PIN SHAFT



| "A" Dia. | "D" Dia. | "P" Dia. | "A" Dia. | "D" Dia. | "P" Dia. |
|----------|----------|----------|----------|----------|----------|
| 6M | 12.7M | 2.8M | 18M | 31.7M | 4.4M |
| 8M | 15.8M | 3.6M | 20M | 38.1M | 5.2M |
| 10M | 19.0M | 3.6M | 25M | 44.4M | 5.2M |
| 12M | 25.4M | 3.6M | 30M | 50.8M | 5.2M |
| 14M | 25.4M | 3.6M | 35M | 50.8M | 5.2M |
| 16M | 31.7M | 4.4M | 40M | 53.8M | 6.7M |

Available in four (4) series:

- "CS" – 12L14 CRS
- "CM" – T.G. & P. Alloy, HDN R_c 28-32
- "CH" – 12L14 CRS, CARB., HDN. & GR., R_c 56-60 (.75mm min. case)
- "CY" – 304 Stainless Steel

Other diameters are available on request. (see "How To Order")

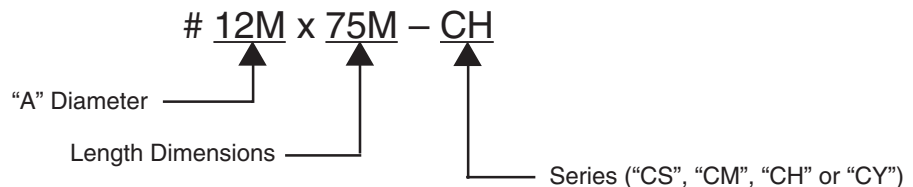
Shafts are available with lube holes, lube grooves and extractor option.

(refer to Sec. III, page 16 and Sec. V, page 1 & 4)

Masterline Metric Head Type Cotter Pin Shaft

To specify metric (millimeters) when ordering, use a capital "M" behind each dimension.

How To Order:



All Parts Available In Inch And Metric.