

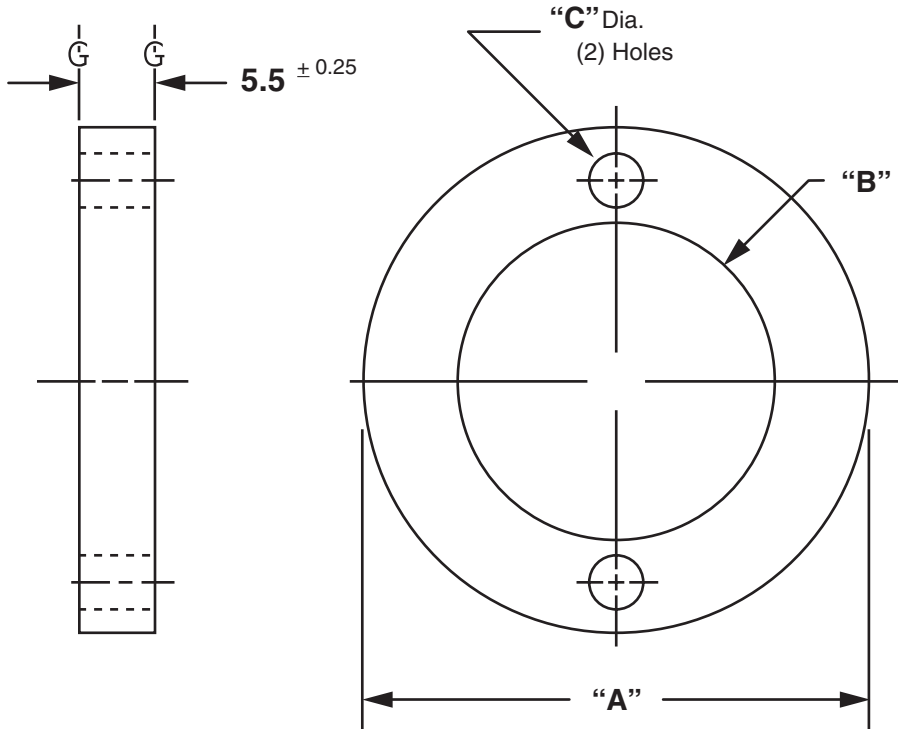


Masterline® Design & Mfg., Inc.

DESIGN SERVICES & PRODUCTS

41580 Production Dr. • Harrison Twp., Michigan 48045 • (586) 463-5888 • Fax (586) 463-8817

# MASTERLINE STUB SPACER



	"A"	"B"	"C"	REF	Cad File No.
MSS32	76.2	39.0	9.0	28.00	MSS32

Tolerances: 1 place ± 0.30  
2 place ± 0.08

MATERIAL: H.R.S. Minimum (Note: Other Materials upon request)

These parts are compared to NAAMS ADP-202, 302, 402

Note: To order special sizes, not listed above, use the following format:

## How To Order:

### Masterline Stub Spacer

'A' 'B' 'C' REF  
Style: #MSS - 95.3 - 67.0 - 9.0 - 43.00 - SP

All Parts Available In Inch And Metric.