

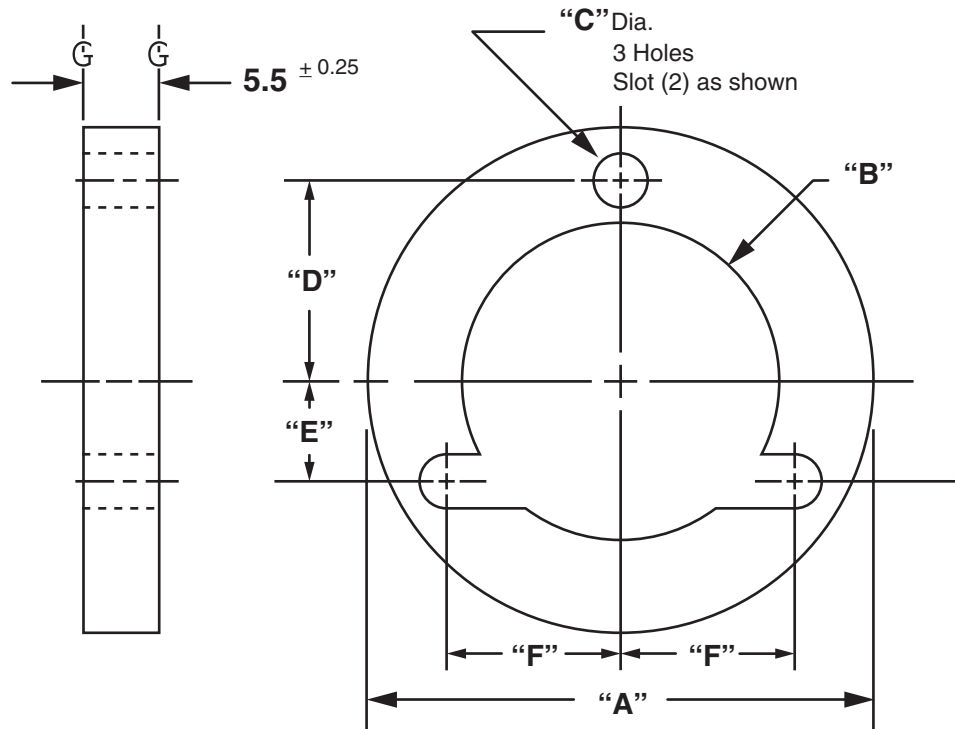


Masterline® Design & Mfg., Inc.

DESIGN SERVICES & PRODUCTS

41580 Production Dr. • Harrison Twp., Michigan 48045 • (586) 463-5888 • Fax (586) 463-8817

MASTERLINE STUB SPACER



	"A"	"B"	"C"	"D"	"E"	"F"	Cad File No.
MSS52	114.3	66.0	13.0	44.00	22.00	38.10	MSS52

Tolerances: 1 place ± 0.30
2 place ± 0.08

MATERIAL: H.R.S. Minimum (Note: Other Materials upon request)

These parts are compared to NAAMS ADP-502

Note: To order special sizes, not listed above, use the following format:

How To Order:

Masterline Stub Spacer

Style: #MSS - "A" - "B" - "C" - "D" - "E" - "F" - SP
 Style: #MSS - 114.3 - 66.0 - 13.0 - 44.00 - 22.00 - 38.10 - SP

All Parts Available In Inch And Metric.