

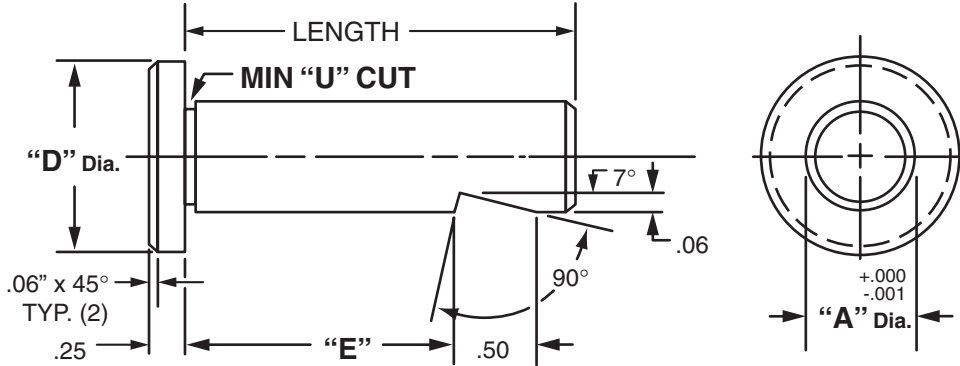


Masterline® Design & Mfg., Inc.

DESIGN SERVICES & PRODUCTS

41580 Production Dr. • Harrison Twp., Michigan 48045 • (586) 463-5888 • Fax (586) 463-8817

MASTERLINE HEAD TYPE WHISTLENOTCH SHAFT



"A" Dia.	"D" Dia.	Cad File No.
.250	.50	WZ249
.375	.62	WZ374
.500	1.00	WZ499
.625	1.12	WZ624
.750	1.25	WZ749
.875	1.38	WZ874

"A" Dia.	"D" Dia.	Cad File No.
1.000	1.50	WZ999
1.125	1.75	WZ1124
1.250	1.88	WZ1249
1.375	2.00	WZ1374
1.500	2.12	WZ1499

Available in four (4) series:

- "WS" – 12L14 CRS
- "WM" – T.G. & P. Alloy, HDN R_C 28-32
- "WH" – 12L14 CRS, CARB., HDN. & GR., R_C 56-60 (.03 min. case)
- "WY" – 304 Stainless Steel

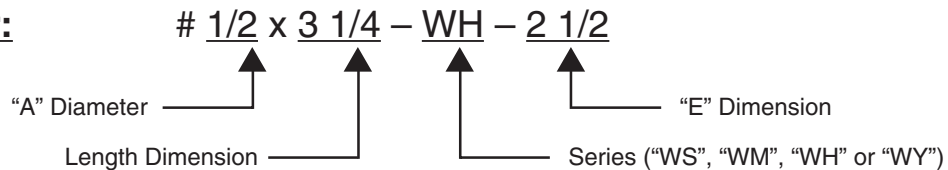
Other diameters are available on request. (see "How To Order")

Shafts are available with lube holes, lube grooves and extractor options.

(refer to Sec. III, page 11 and Sec. V, page 1 & 4)

Masterline Head Type Whistlenotch Shaft

How To Order:



All Parts Available In Inch And Metric.